

ALPHA XS

Air Cooling Recycling Extruder



The **ALPHA XS** recycling extruder uses Plasmac's unique Short Screw Technology (S.S.T.), which is based around a dual diameter 10:1 L/D ratio screw.

PRINCIPLE OF OPERATION

➤ The waste material is directly fed into the screw meaning no prior size reduction is required. Due to this, little or no dust is produced which means a higher quality pellet with the lowest levels of gels possible. The S.S.T. ensures low shear and runs at low melt temperatures guaranteeing an absolute minimum of material degradation producing the highest quality recycled pellet.

ANCILLARIES

- **TRIM BASKET**
For feeding inline trims into the recycling extruder.
- **ROLL FEED**
Used to feed off-specification reels or scrap reels into the extruder, can be used simultaneously with the trim basket.
- **SUPATRIM - TRIM PULLING NIP**
Used to convey tacky or extensible trims into the extruder.
- **SCREEN CHANGER**
Manual Screen Changer, used when running offline products such as reels, flake etc.
- **ANTISTATIC BAR**
A bar on the top of the Trim Basket to remove static from trims.

MAIN FEATURES



Minimal power consumption & the highest output/kW of installed power in the market.

Giving you lower running cost and therefore the quickest return your on investment with paybacks in as little as six months.



Low shear, minimum process dwell time and the absolute minimum or materia degradation.

Means you can recycle all of your scrap material into high quality pellets, reducing your material costs and improving your profitability.



Direct extrusion design, no prior size reduction required.

Requires no other costly equipment, reduces maintenance and increases your productivity, therefore improving your profitability.



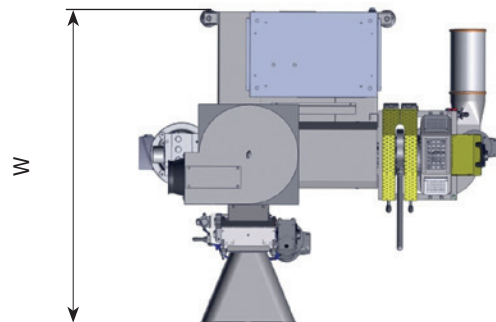
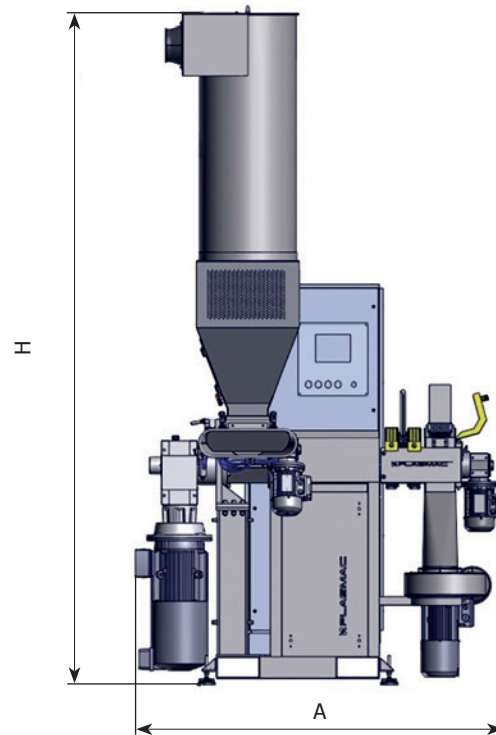
Smallest footprint recycling machine available on the market.

Minimal floor space is required freeing up valuable floor space for other applications.



Air Cooled Pelletiser

TECHNICAL DATA



MODEL	*Max Output (Kg/h)	Motor (kW)	Floor Space (m ²)	A (mm)	W (mm)	H (mm)	**Weight (Kg)
AXS	45	11	2,60	1750	1480	3250	750

* Depends on the type and the format of the material ** Depends on the installed accessories.

Plasmac reserves the right to alter the specifications indicated in this catalogue at any time and without prior notice.

alpha xs eng - 09/25

