

OMEGA

A one step recycling solution



The **OMEGA** recycling shredder extruder system uses Plasmac's unique dual diameter Short Screw Technology (S.S.T.).

PRINCIPLE OF OPERATION

➤ The waste material is fed via elevator, rollfeed or trim basket into the slow rotating shredder, Plasmac's unique screw design ensures minimal heat and dust meaning a higher quality pellet is generated with the lowest levels of gels possible. The S.S.T. ensures low shear, runs at low melt temperatures and therefore guarantees an absolute minimum of material degradation giving you the highest quality recycled pellet.

ANCILLARIES

- **WATER COOLED PELLETISER**
Water pelletisers, the material or output being run determine the type of pelletiser needed.
- **TRIM BASKET**
For feeding inline trims into the shredder.
- **ROLL FEED**
Used to feed off-spec or scrap reels into the shredder.
- **ELEVATOR & METAL DETECTOR**
Used to convey loose, pieces, reels, lumps, in fact any type of scrap into the shredder.
- **SCREEN CHANGERS**
Manual or automatic systems available, used when running offline products i.e. reels, flake etc.
- **VACUUM DEGASSING STATION**
Single or double venting systems available to allow you to run printed or hydroscopic materials.

MAIN FEATURES



Minimal power consumption & the highest output/kW of installed power in the market.

Giving you lower running cost and therefore the quickest return your on investment with paybacks in as little as six months.



Low shear, minimum process dwell time and the absolute minimum or materia degradation.

Means you can recycle all of your scrap material into high quality pellets, reducing your material costs and improving your profitability.



Slow rotating shredder technology and unique screw design.

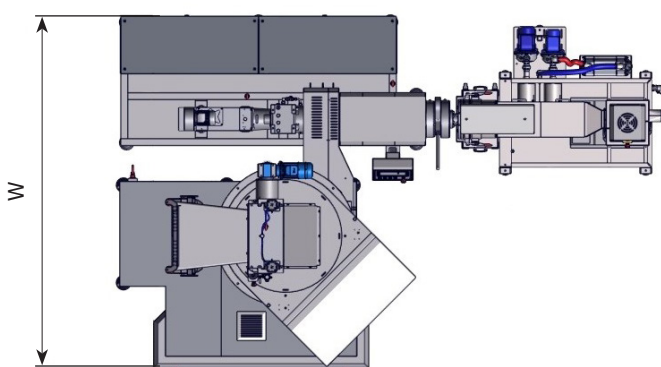
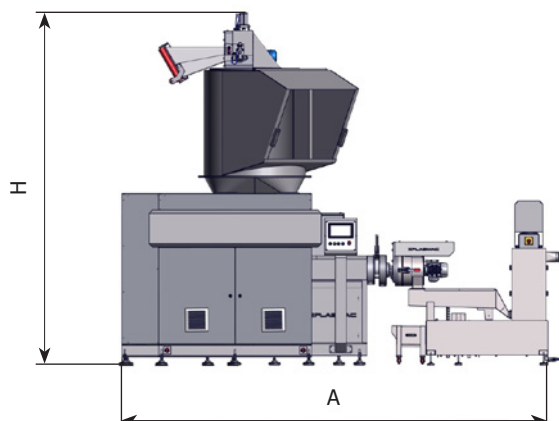
Requires no cooling water of the rotor or transfer system, reduces maintenance and costs, therefore improving your profitability.



Smallest footprint recycling machine available on the market.

Minimal floor space is required freeing up valuable floor space for other applications.

TECHNICAL DATA



MODEL	*Max Output (Kg/h)	Motor (kW)	Floor Space (m ²)	A (mm)	W (mm)	H (mm)	**Weight (Kg)
OXS - HC	120	18,5	19,5	5925	3250	3800	3850
OXS - HCV	120	22	22	6820	3250	3800	4300
OS - HC	150	22	20	6100	3250	3800	4100
OS - HCV	150	29	22,3	6850	3250	3800	4500
OM - HC	200	32	21,5	6595	3250	3800	4350
OM - HCV	200	46	23	7000	3250	3800	4800
OL - HC	250	46	23	7080	3250	3800	4750
OL - HCV	250	60	25	7720	3250	3800	5200

* Depends on the type and the format of the material ** Depends on the installed accessories.

Plasmac reserves the right to alter the specifications indicated in this catalogue at any time and without prior notice.

omega eng - 09/25

